



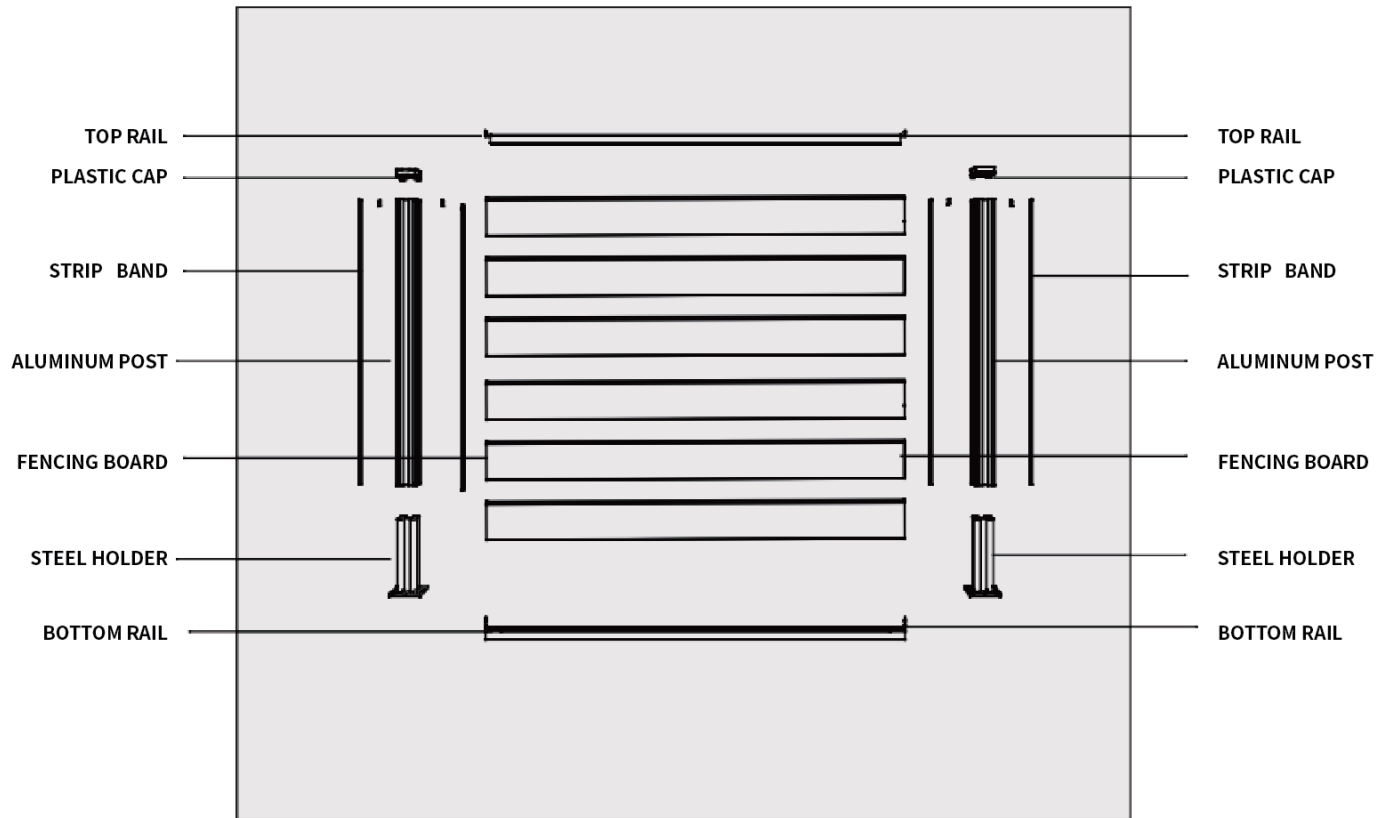
FORESTAR YOUR RELIABLE WPC SUPPLIER!

FENCING SYSTEM IN KIT - 1M

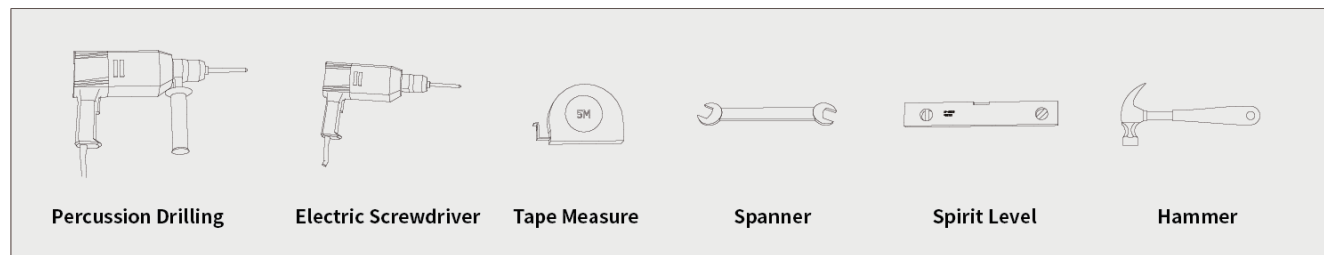
EMBRACE ART AND REALITY IN EVERY ACT AND MOVEMENT

EXCELLENT PERFORMANCE OF WPC DECKING
ANTI-MILDEW/ CORROSION/ CRACK AND INSECT PREVENTION-
ANTI-STAINING/ SCRATCHES-
UV RESISTANCE-
PAINTING NOT REQUIRED-
NO METHANAL-

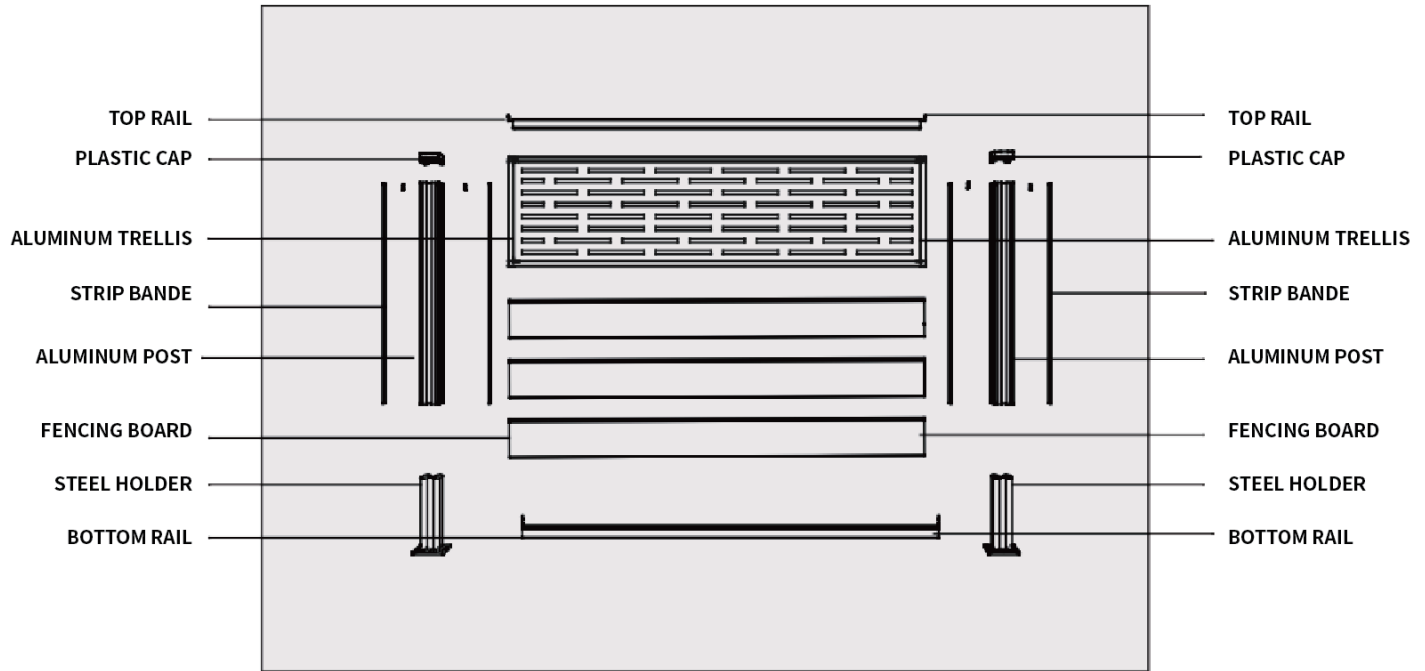
INSTALLATION INSTRUCTION



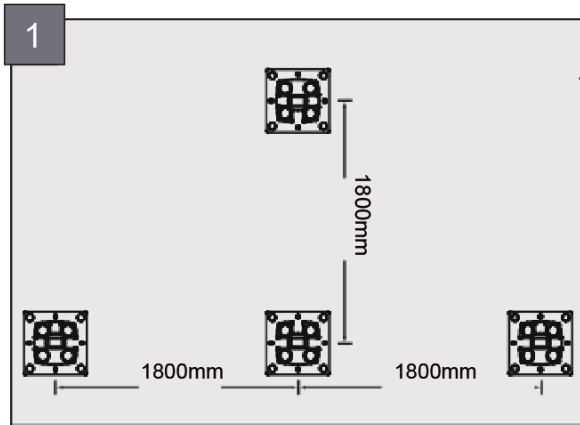
Tools Needed for Installation



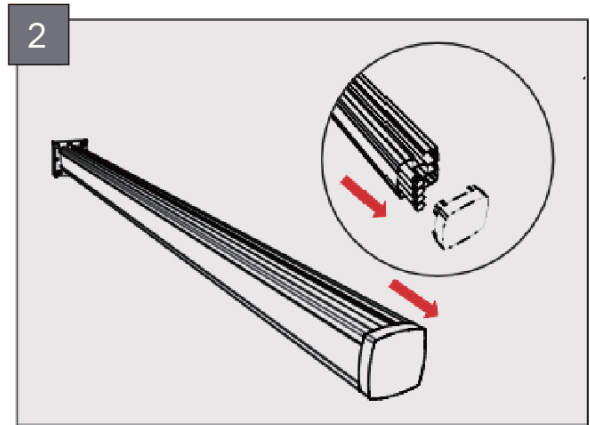
INSTALLATION INSTRUCTION



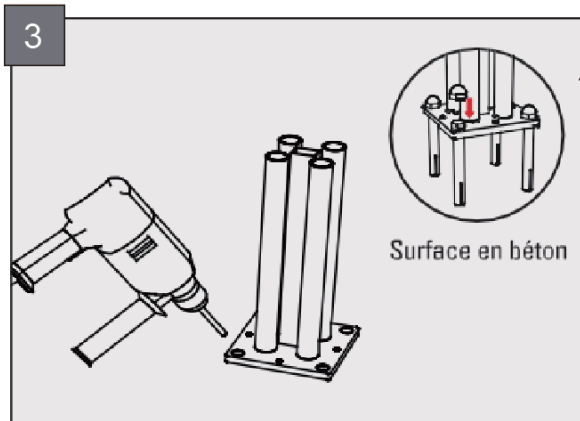
INSTALLATION INSTRUCTION



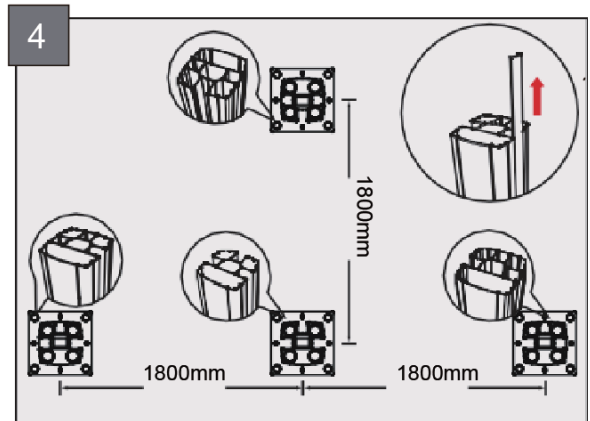
The fence distance is between two posts is 1800mm. The fencing board can be installed lengthwise, in “L” or in “T”.



Remove the plastic cap and expansion bolts before install the post.



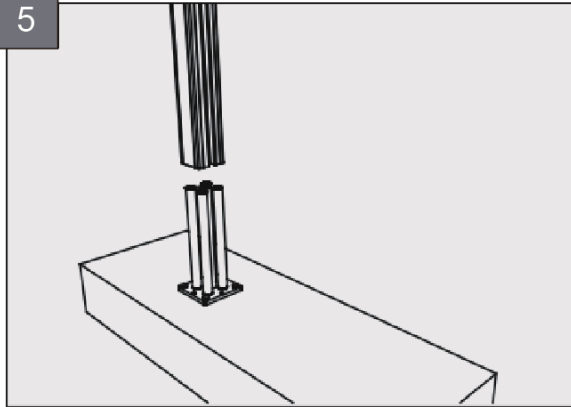
Position the plate of the steel hold, then drill some holes with the drill's diameter of $\varnothing 12\text{mm}$, and fix the plate with the screws heads provided.



Each post kit has grooves in two sides with strip bands, which are removable to match the different types of installation desired.

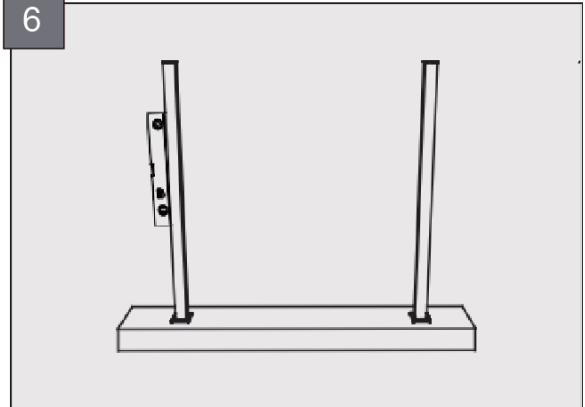
INSTALLATION INSTRUCTION

5



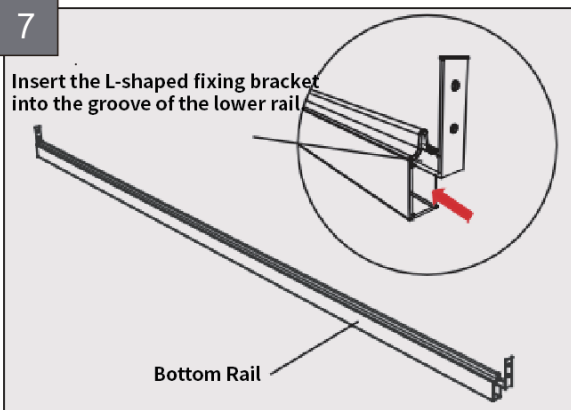
Put the aluminum post in the steel holder.

6



Adjust the post with the level.

7

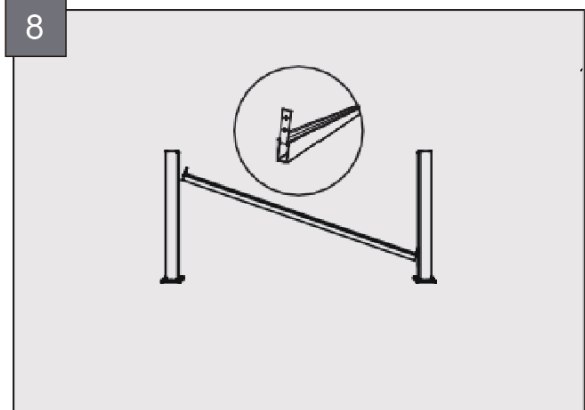


Insert the L-shaped fixing bracket into the groove of the lower rail.

Bottom Rail

Remove the L-bracket from the bottom rail. Insert it according to the drawing above.

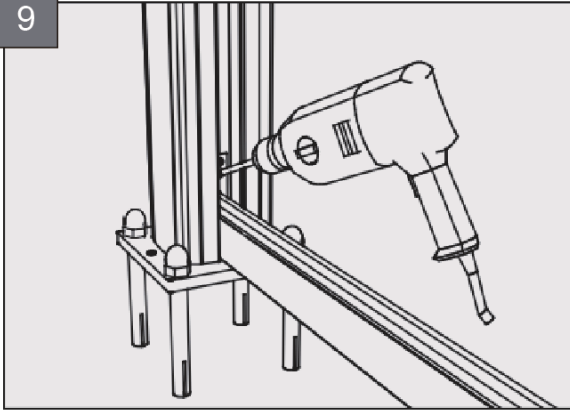
8



Put the bottom rail kit into the aluminum post groove.

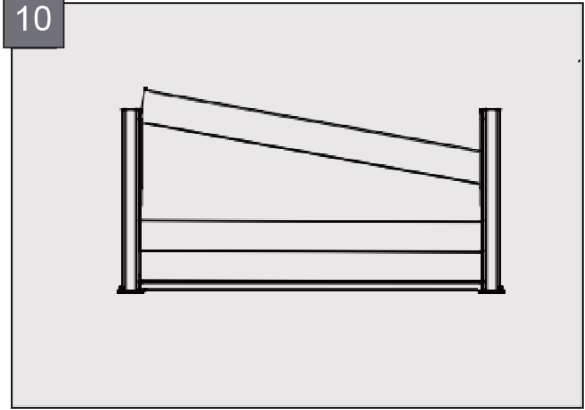
INSTALLATION INSTRUCTION

9



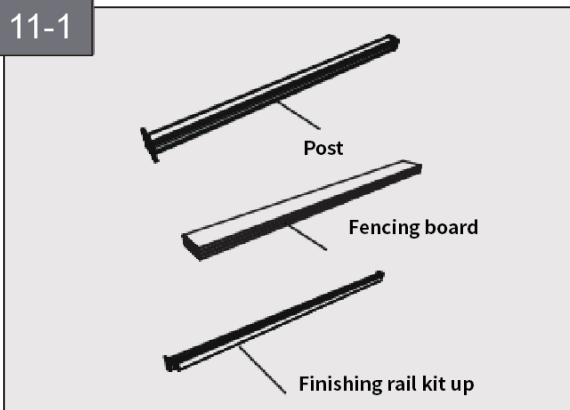
Put the low rail between the posts and fix it with screws (M4x19 screw).

10



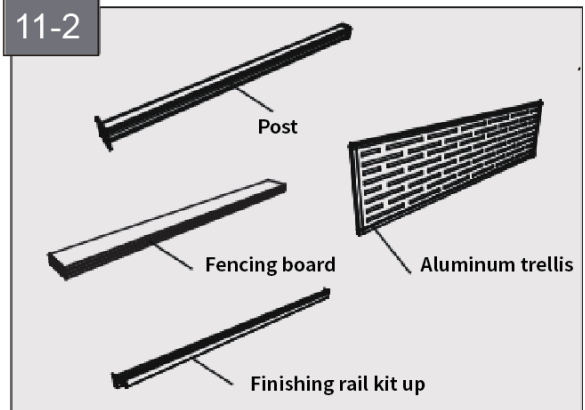
Slide the boards one by one between the posts. Note that the slats fit on top of each other so that the boards can be completely fit.

11-1



Install different numbers of boards as desired. A fencing system consists of TWO post kits, FOUR packs of boards (3 boards per pack) and ONE finishing rail kit.

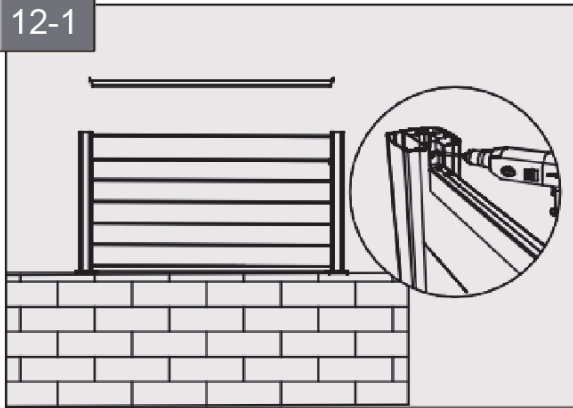
11-2



Install different numbers of boards as desired. A fencing system consists of TWO post kits, THREE packs of boards (3 boards per pack), ONE aluminum trellis and ONE finishing rail kit.

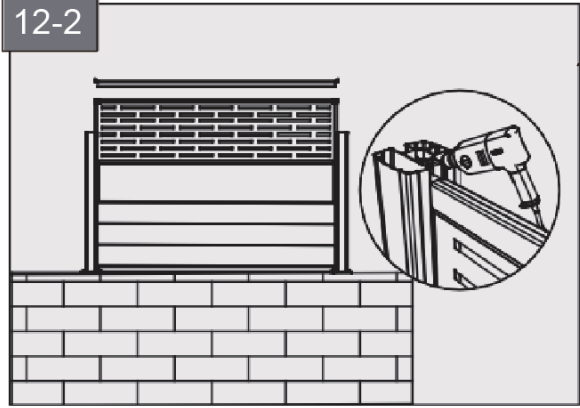
INSTALLATION INSTRUCTION

12-1



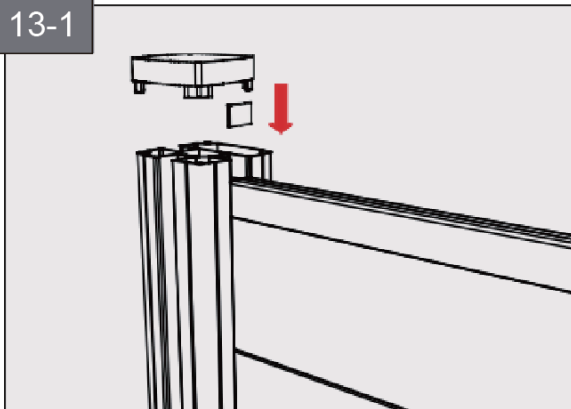
Position the top rail between the posts and screw it.

12-2



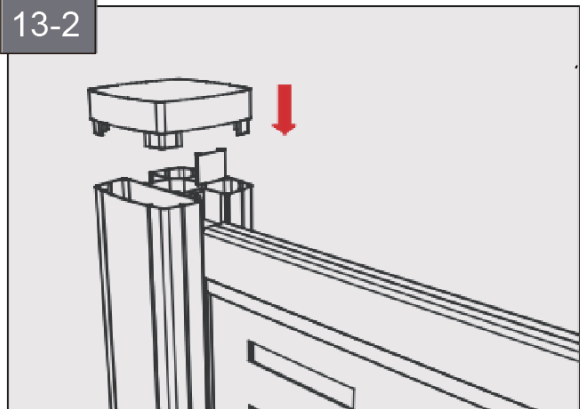
Position the top rail between the posts and screw it.

13-1



Insert the small finishing piece then cover the post with the plastic cap.

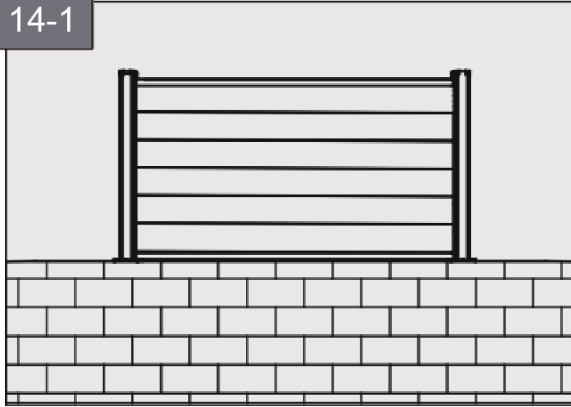
13-2



Insert the small finishing piece then cover the post with the plastic cap.

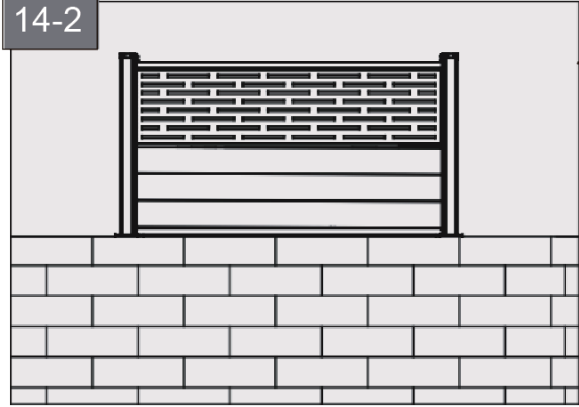
INSTALLATION INSTRUCTION

14-1

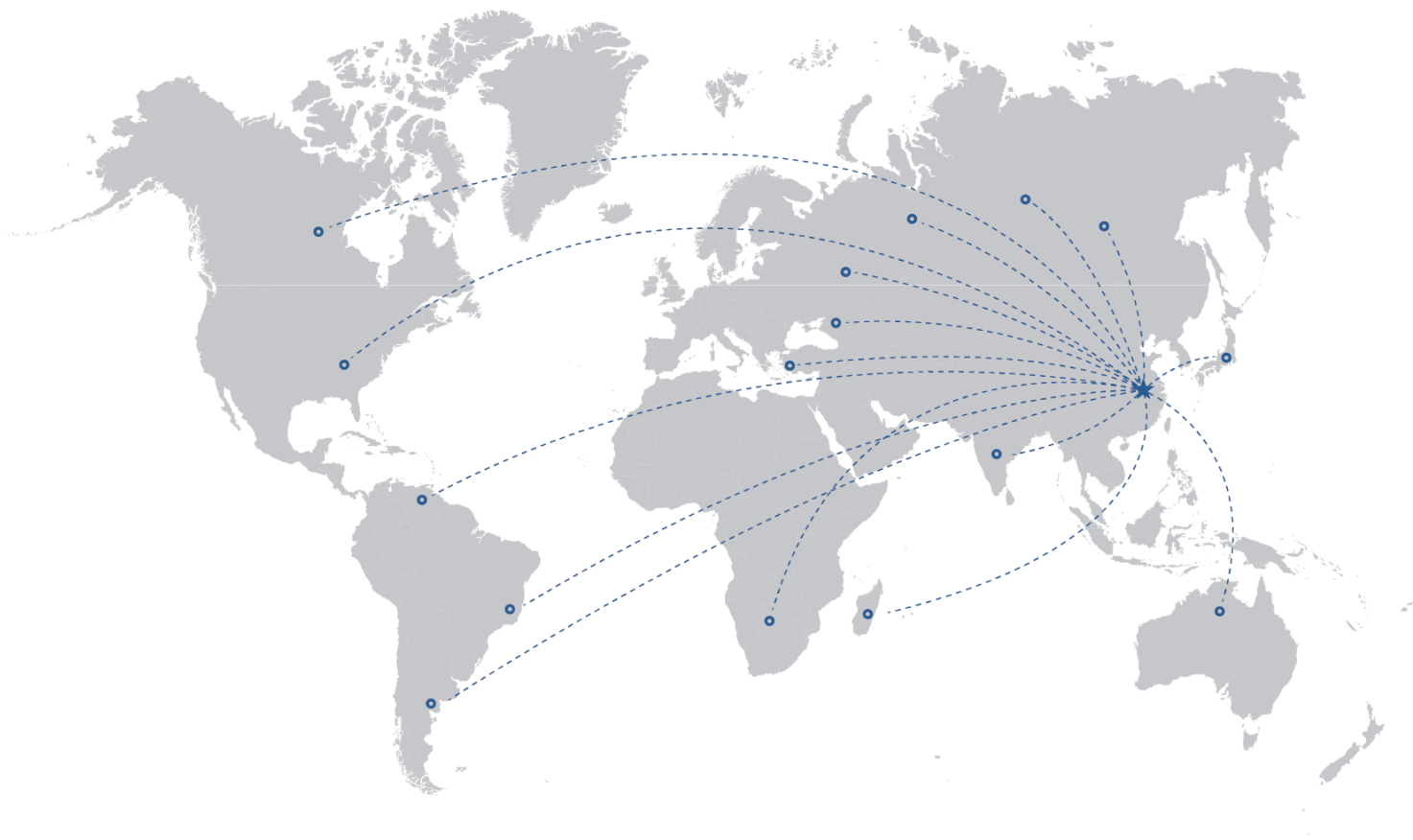


Effect drawing of the completed installation.

14-2



Effect drawing of the completed installation.



Xuancheng Fumeida New Materials Co., Ltd

Add: 5, Meizigang Road, North District Industrial Park, Xuancheng, Anhui, China 242000
Tel: +86-0563-2062096 Fax: +86-0563-2062059
Website: www.china-wpc.com