



 **FORESTAR** YOUR RELIABLE WPC SUPPLIER!

## PERGOLA INSTALLATION GUIDE



FORESTAR  
Product Line  
**PERGOLA**

Present the lifetime commitment under romantic  
ambiance offered by our pergola.

**EXCELLENT PERFORMANCE OF WPC DECKING**  
ANTI-MILDEW/ CORROSION/ CRACK AND INSECT PREVENTION-  
ANTI-STAINING/ SCRATCHES-  
UV RESISTANCE-  
PAINTING NOT REQUIRED-  
NO METHANAL-

## PLEASE READ THE INSTALLATION GUIDE CAREFULLY BEFORE DO ANY INSTALLATION.

We suggest you to acquire detailed knowledge of your local laws and regulations before install FORESTAR products. This manual can only offer instructions for correct installation rather than a substitute for laws and professional permission. Installing FORESTAR products shall comply with the relative local laws and regulations. All risk and responsibility that relate to construction shall be borne by users.

### SAFETY

Operators should be equipped and apply safety protection equipment, i.e. operators should wear protective gloves, dust mask, long-sleeved clothes/ pants and goggles.

### TOOLS

Normal tools for woodworkers are enough, but saw web treated by carbide solution and stainless screws are recommended.

### PLANNING

A rational installation plan can enable the FORESTAR products to be installed in a fast and smooth way.

- Please make sure that everything shall comply with the relative local laws and regulations;
- The decking should be installed on a clean, flat and solid ground;
- Arrange the layout before lay the decking so as to make sure the perfect effect;
- We recommend you to make a relative construction drawing so that enhance the precision of the construction.

### CONSTRUCTION

FORESTAR products can not be applied alone as bearing structure like girder and pillar, they must be applied together with those structural materials that are in line with requirements.

### DRAINAGE & VENTILATION

The enough space between decking and ground is required for adequate drainage, ventilation and dryness, in view of this, FORESTAR decking cannot be directly installed on the ground, but should be installed on the joists. If rain cannot be drained away in time while stay in the gaps that without protection between the decking, then this position would be easily expand after water absorption.

### HEAT RESOURCE & FIRE

Sustained high temperature that caused by fire and other heat resource will do harm to FORESTAR decking. Therefore, do not assemble FORESTAR products where are near to heat resource like fireplace. "Coating film glass with low radiation" has the effect of thermal insulation and warm-keeping via the high reflecting towards middle and remote infrared ray, but it can lead to heat reflecting that makes surrounding environment become heat resource after heating. We advise you to consult with your glass supplier about relative suggestions in advance, so as to reduce heat reflection.

### STORAGE

FORESTAR products should be piled up tidily on the flat and solid ground after being raised.

Find the correct storage method as shown in the figure 1, jack up the FORESTAR products and put them on the leveled and solid ground.

Find the incorrect storage method as shown in the figure 2, the uneven ground would lead to the deformation of FORESTAR products.

For the load bearing issue of the base, please consult with the producer who produces adjustable bases.

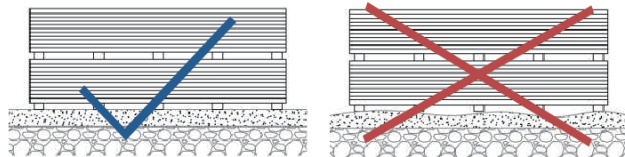
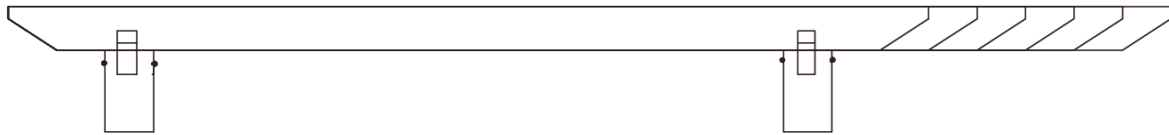
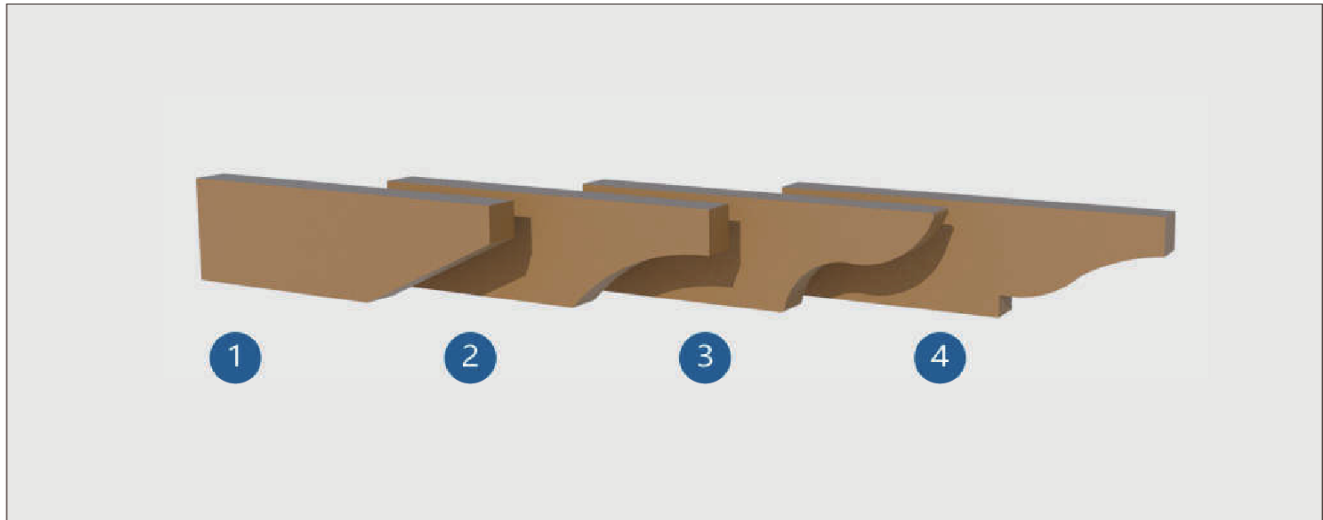


Figure 1

Figure 2

## BEAM'S END COVER STYLE



### Pergola Standard Dimension

Item	imension (m)							
	2.2	2.4	2.6	2.8	3.0	3.2		
Height of Pergola	2.2	2.4	2.6	2.8	3.0	3.2		
Width of Pergola	2.2	2.4	2.6	2.8	3.0	3.2		
Pergola Unit			2.6	2.8	3.0	3.2	3.6	4.0

\*Blue marks mean that steel structure is required.

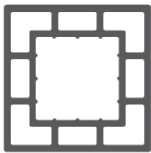
# PERGOLA

## ReSound Air

Given the efficient utilization of the garden and balcony space, we need a brand new set of pergola, so as to expand the private space and build the overhead aesthetic structure that belongs to oneself. By doing so, we can perfectly extend the life and space bearing function of the garden.



### Product Profile Specification



150mmx150mm  
Post (sectional view)

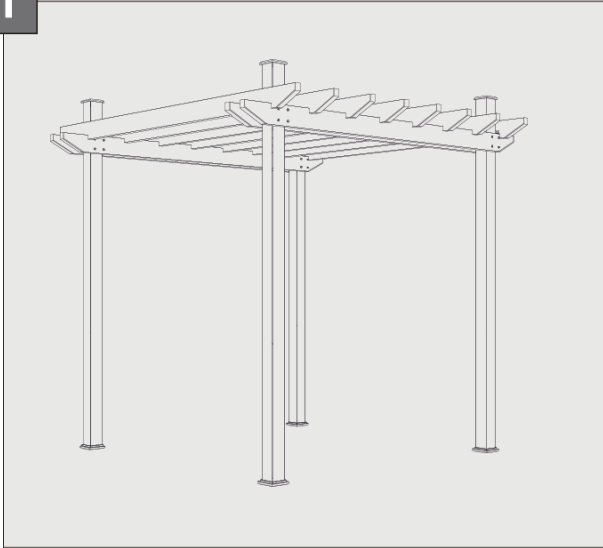


150mmx48mm  
Beam's end cover  
(sectional view)



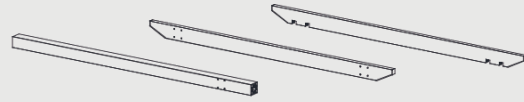
# INSTALLATION INSTRUCTION

1



2

## Accessories of Pergola



Post

Beam

Blade



Steel holder



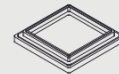
Cap



L-form connector



Screw



Skirting



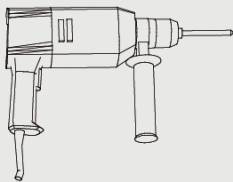
Mandrel Screw



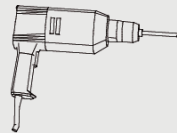
Expansion bolt

3

## Tools needed for installation



Percussion Drilling



Electric Screwdriver



Spirit Level



Hammer



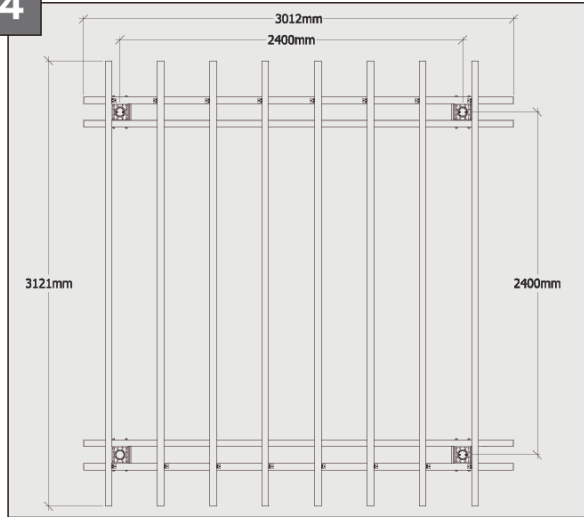
Spanner



Tape Measure

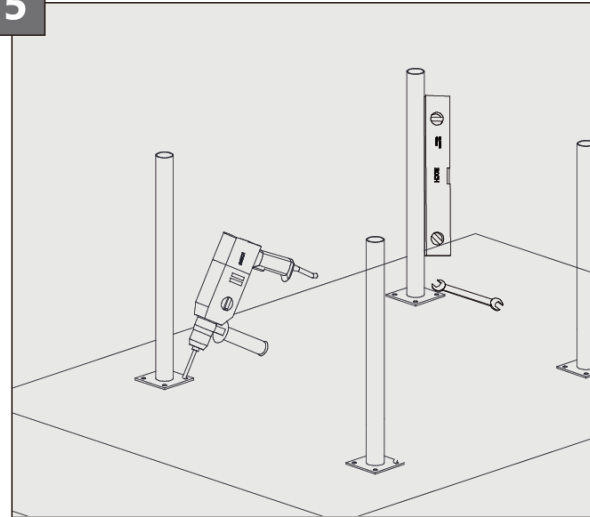
## INSTALLATION INSTRUCTION

4



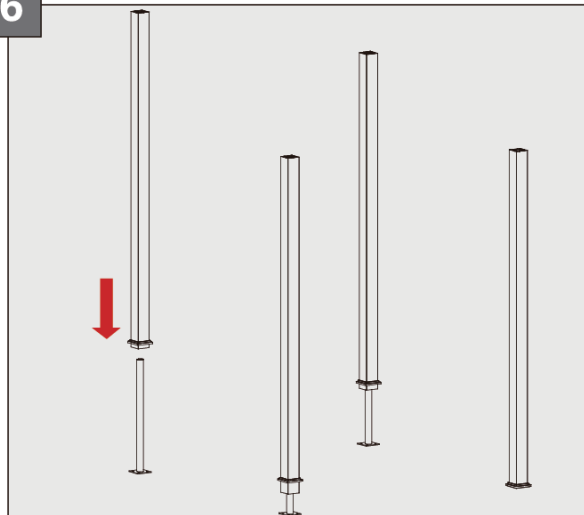
The distance from the middle of one post to the middle of next post is 2400mm, which is the standard installation dimension of pergola. This dimension can be customized in advance in line with specific requirements.

5



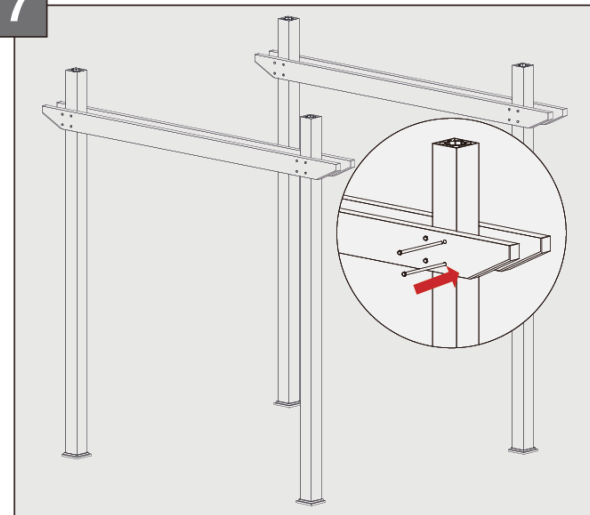
Use the percussion drilling ( $\phi 14$  drill) to drill holes to fix the base according to the dimensions of drawing, please note to adjust the verticality of the steel holder by a spirit level before fix the expansion bolt.

6



After completing the installation of the steel holder's base, insert the skirting into the post, then insert the post into the base.

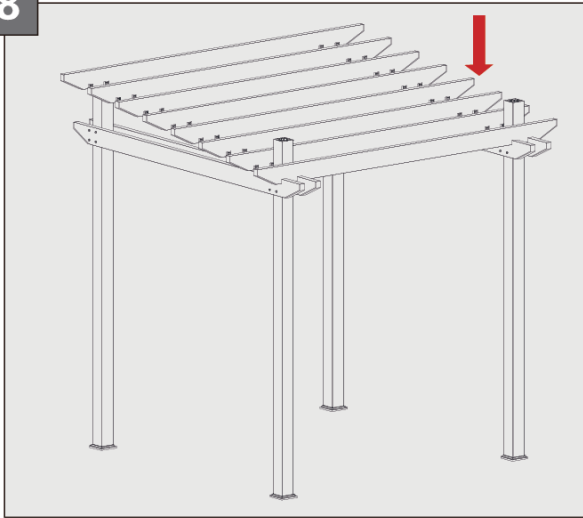
7



Connect the beam with post by mandrel screw.

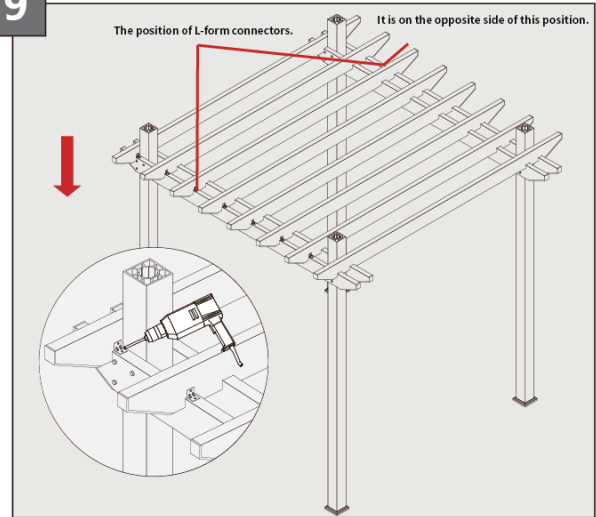
## INSTALLATION INSTRUCTION

8



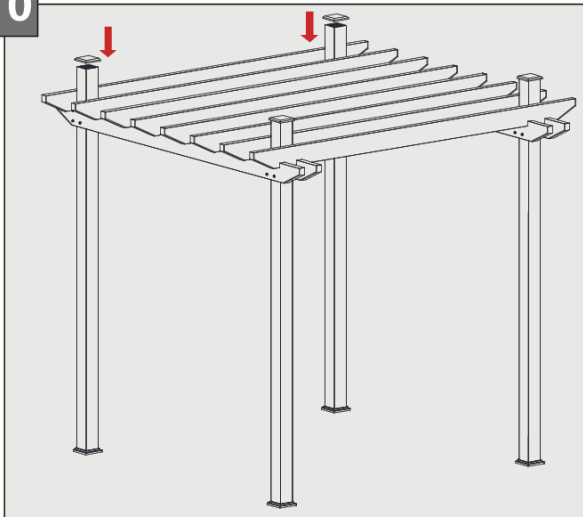
Clip the blade onto the beam one by one in accordance with the distance between the beams.

9



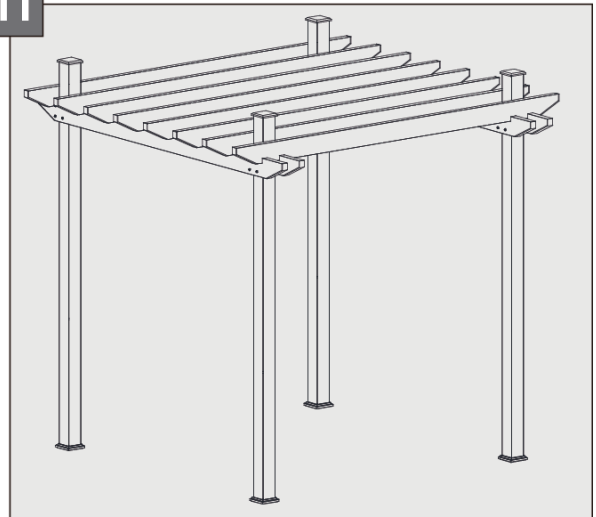
Connect the blade with the beam by L-form connectors, please note that the L-form connector should be bilaterally symmetrical to the blade.

10



Cover the cap.

11



Finish the installation.



# PRGDA TITAN SERIES

The time is not old, we linger. The unfading craftsmanship spirit engraves the work and makes it become everlasting art. We consistently work for high quality, which demonstrates our rigorous pursuit towards details. Adhering to classic things and abandoning vanity, and that is how we find the best balance between simplicity and complexity.



## Product Profile Specification



200mmx200mm  
Post (sectional view)

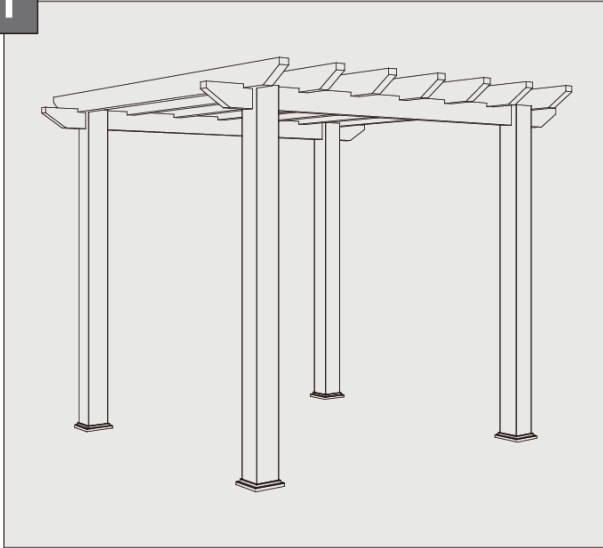


180mmx80mm  
Beam's end cover  
(sectional view)



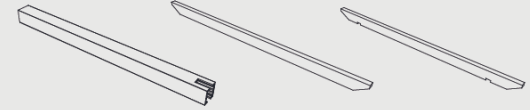
# INSTALLATION INSTRUCTION

1



2

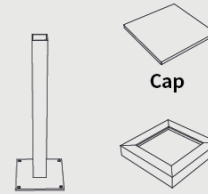
## Accessories of Pergola



Post

Beam

Blade



Cap

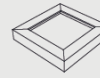
Steel holder



L-form connector



Screw



Skirting



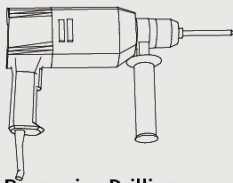
Mandrel Screw



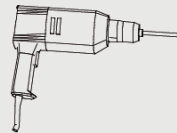
Expansion bolt

3

## Tools needed for installation



Percussion Drilling



Electric Screwdriver



Spirit Level



Hammer



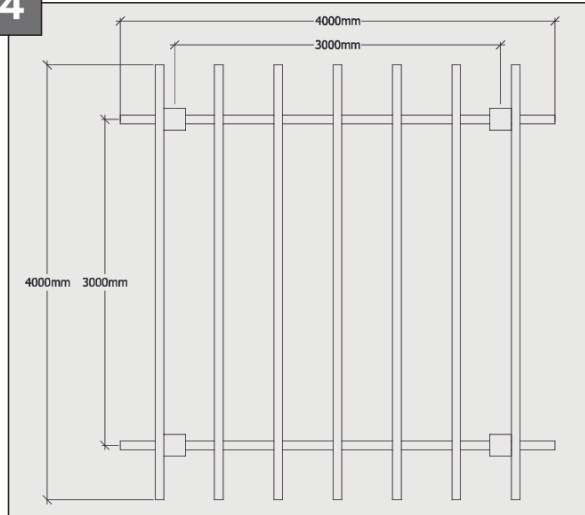
Spanner



Tape Measure

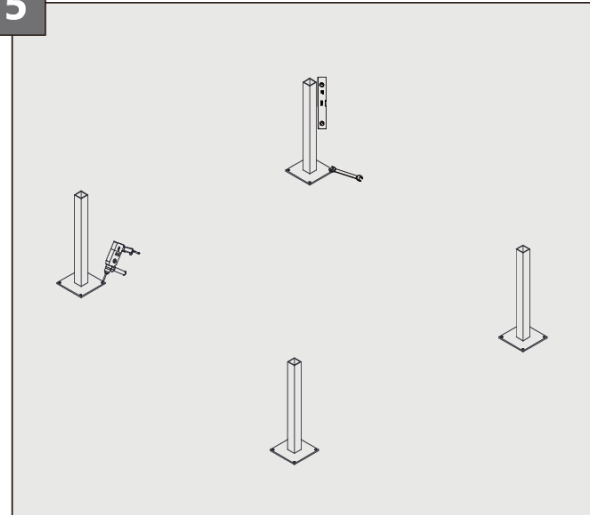
## INSTALLATION INSTRUCTION

4



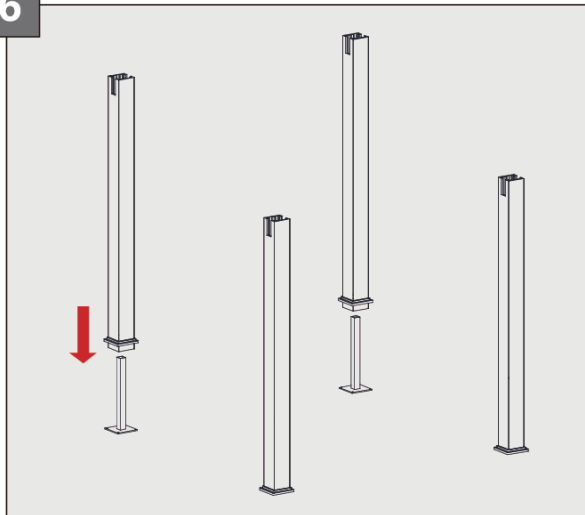
The distance from the middle of one post to the middle of next post is 3000mm, which is the standard installation dimension of pergola. This dimension can be customized in advance in line with specific requirements.

5



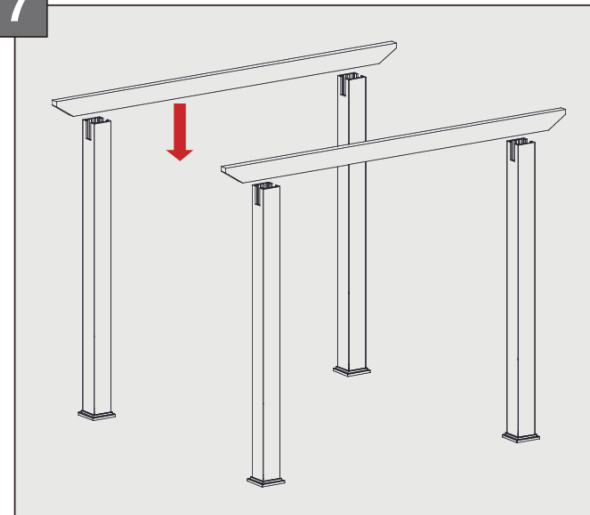
Use the percussion drilling ( $\phi 14$  drill) to drill holes to fix the base according to the dimensions of drawing, please note to adjust the verticality of the steel holder by a spirit level before fix the expansion bolt.

6



After completing the installation of the steel holder's base, insert the skirting into the post, then insert the post into the base. (Please attention groove direction of the post.)

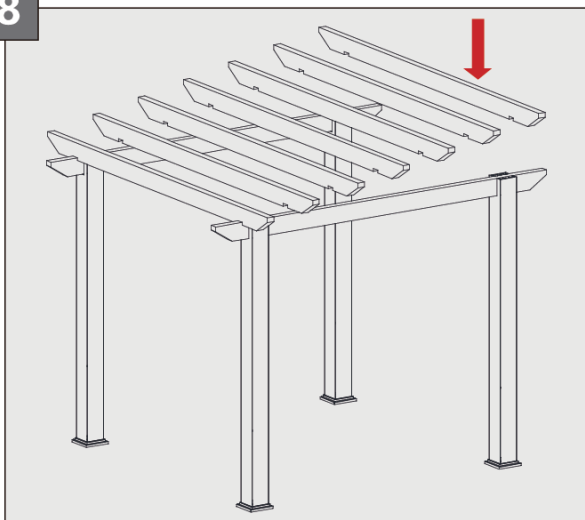
7



Clip the beam into the post's groove. (Please note the bilateral length should be in line with designed dimensions.)

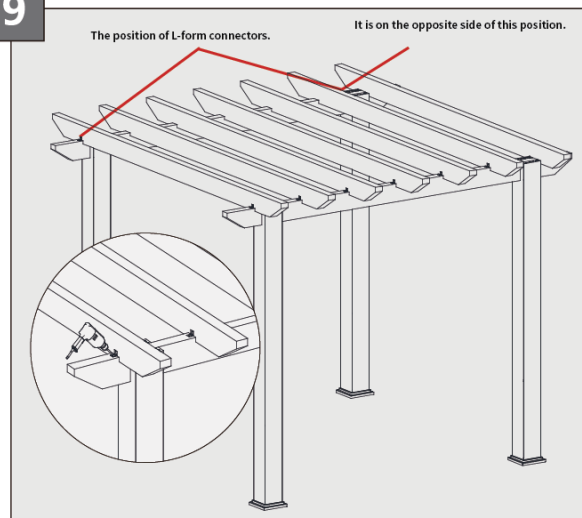
## INSTALLATION INSTRUCTION

8



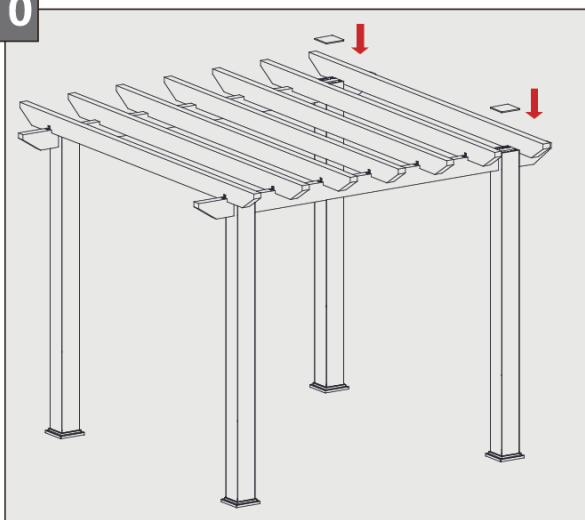
Clip the blade onto the beam one by one in accordance with the distance between the beams.

9



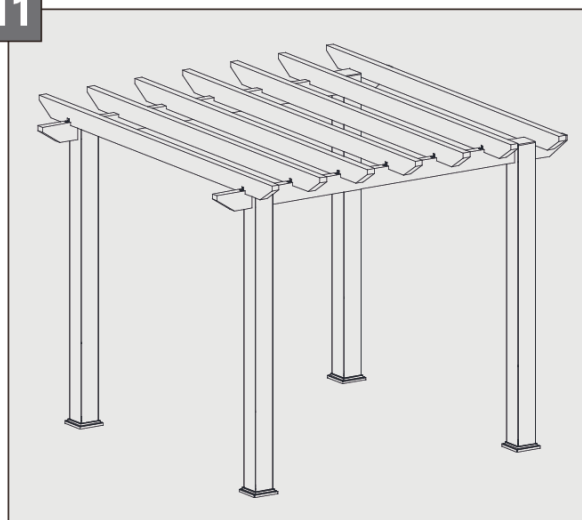
Connect the blade with the beam by L-form connectors, please note that the L-form connector should be bilaterally symmetrical to the blade.

10

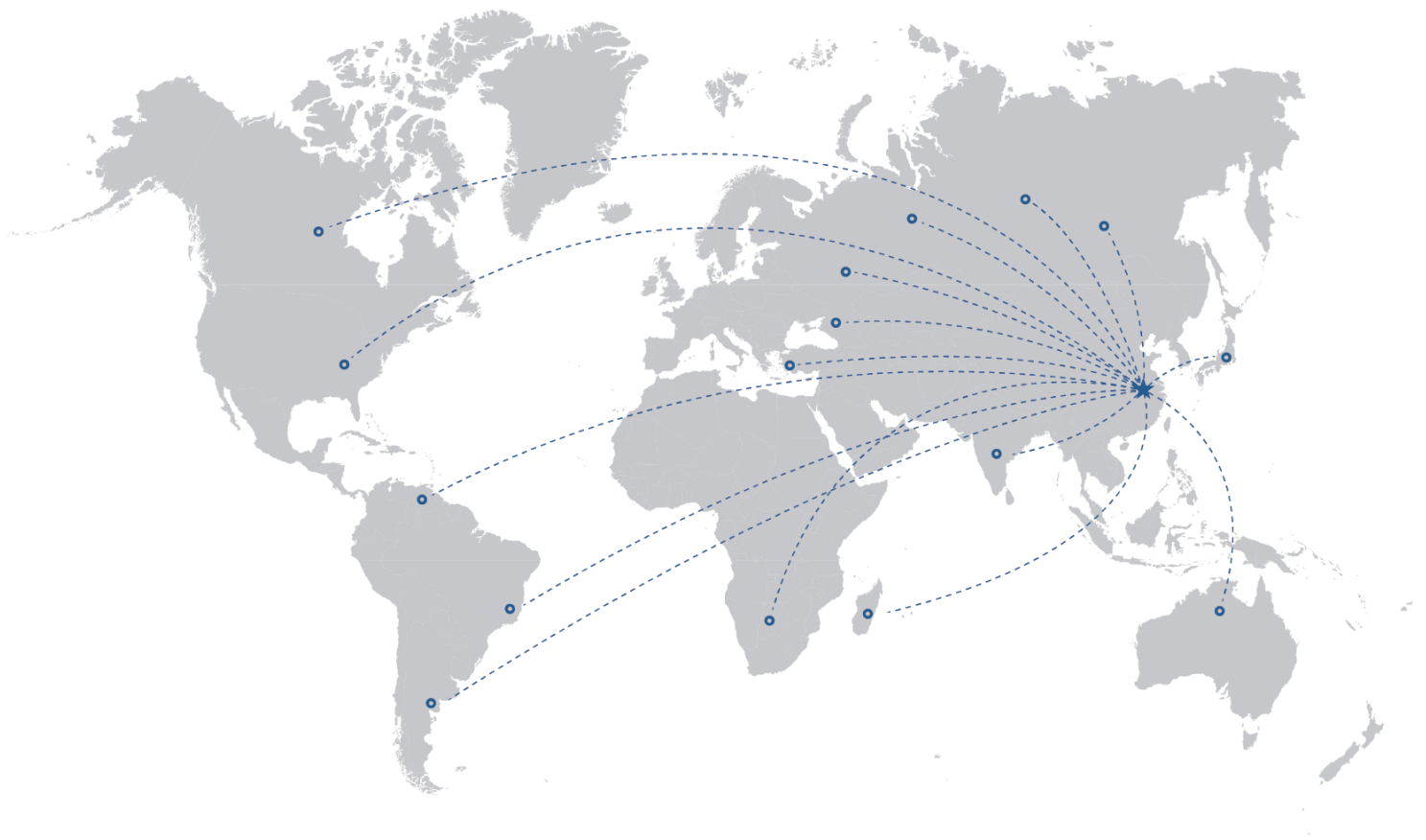


Cover the cap and fix it with glue.

11



Finish the installation.



**Xuancheng Fumeida New Materials Co., Ltd**

Add: 5, Meizigang Road, North District Industrial Park, Xuancheng, Anhui, China 242000  
Tel: +86-0563-2062096 Fax: +86-0563-2062059  
Website: [www.china-wpc.com](http://www.china-wpc.com)